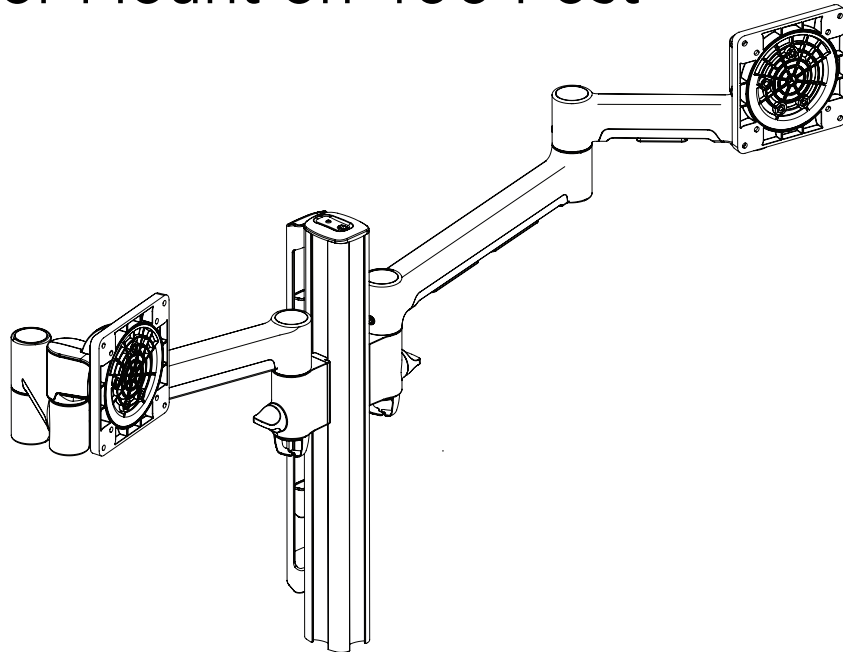


## Dual Monitor Mount on 400 Post



### FEATURES

- Dual display mounting solution to suit most monitors up to 34". Larger monitors within the weight capacity may be compatible, refer to Monitor Size (page 2).
- **Important note:** This solution uses a 'hybrid' Arm assembled onsite by the installer using modular components from the AWM-A46T & AWM-A71T SKUs. There is no AWM-A59 SKU.
- A Link from the A71T is used as the Lower Link, and the A46T used for the upper. This solution assumes the Arms are used in pairs. These are supplied as the following SKUs:
  - 1 x AWM-A46T
  - 1 x AWM-A71T
- Balanced tilt mechanism for dynamic viewing angle selection, and a display quick connect mechanism.
- Integrated 180° rotation limiter to prevent interference with walls and workstation dividers.
- Adjustable portrait-to-landscape rotation tension.
- Generous cable management guides cables discreetly down the arm to the work surface.
- Combine with compatible post to achieve desired vertical range (AWM-P40X; AWM-P40G; AWM-P75G).

#### Display weight\*

**Flat display** 9kg (0 - 19.8lb)

**Curved display** 9kg (0 - 19.8lb)

**Display depth** Up to 140mm (5.5")

**Tilt adjustment** +45° / -15°

**Rotation adjustment** +/-95°

**Vertical adjustment** 318mm (12.52")

**VESA mounting** 75x75 100x100

**Primary materials** Aluminium, Steel, Engineering Polymers

\*Monitor weight should be within the weight range of all modular elements that make up the complete monitor mounting solution.

\*Deep devices (such as all-in-one PCs) and offset VESA locations exert additional leverage that can exceed the capacity of the mount even though the monitor weight may be within the stated range. Please contact Atdec if you would like further information.

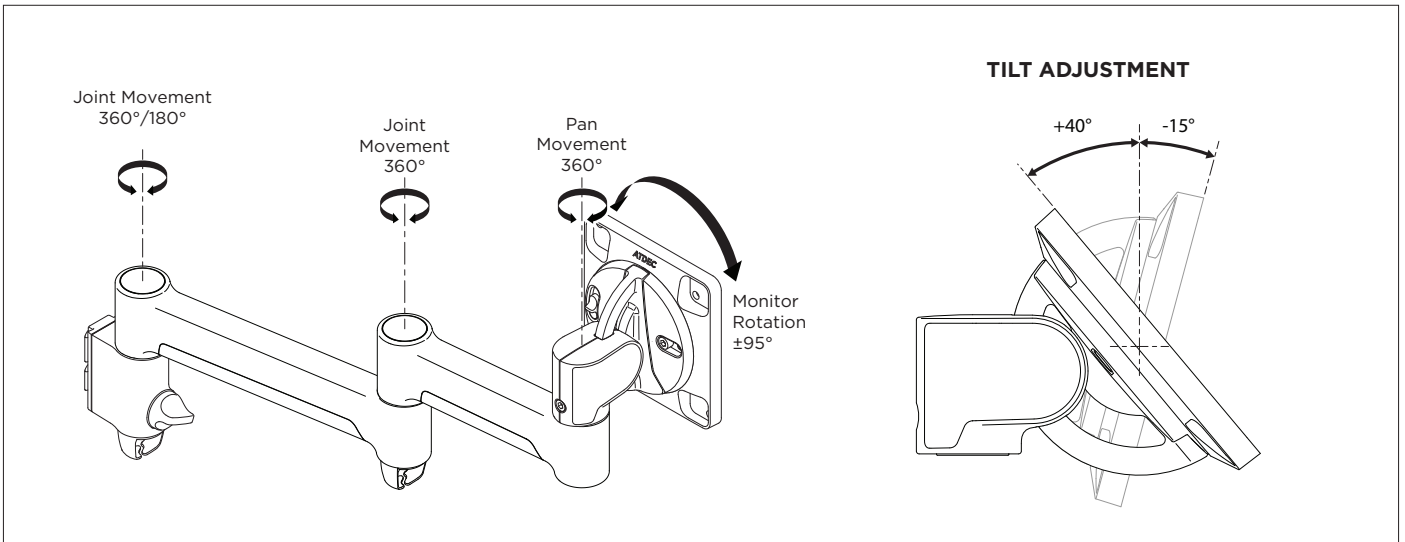
†A display must meet each of the weight, depth and size specifications to be compatible. Smaller monitors may be compatible for workstations with deeper desk spaces.

Please contact Atdec if you would like further information

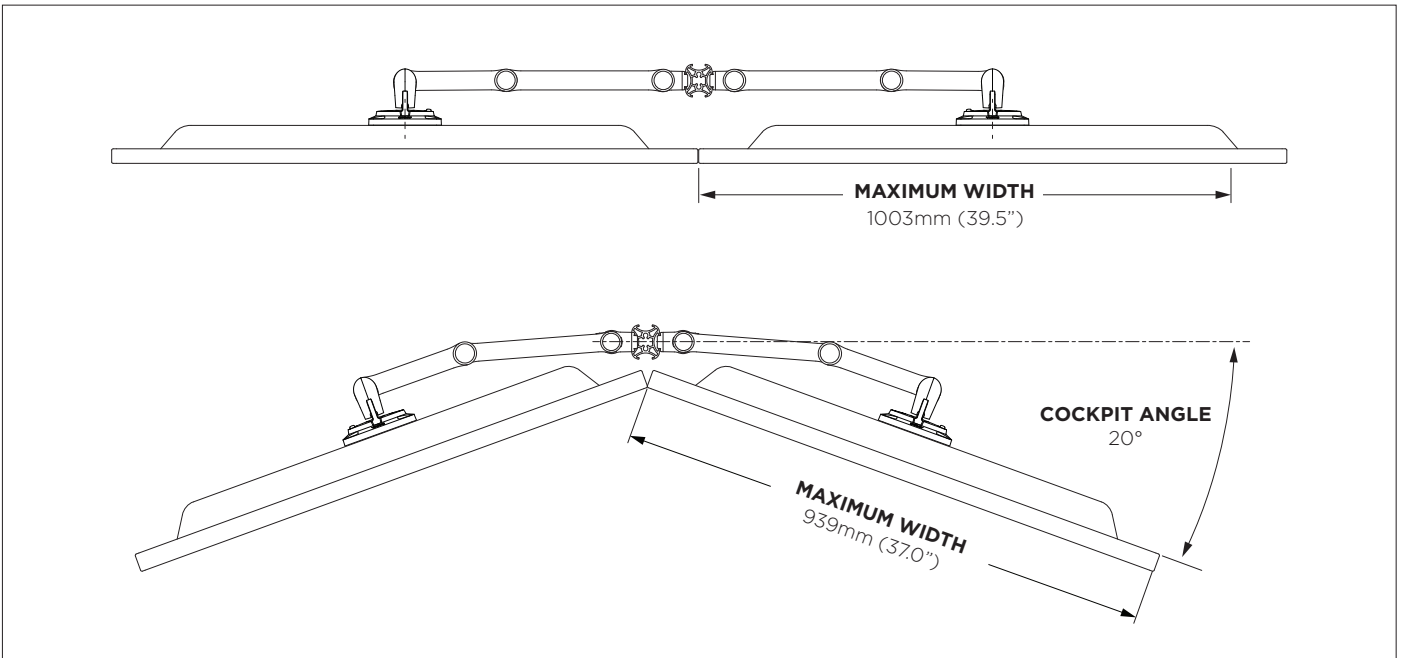
### WARRANTY

10 years limited

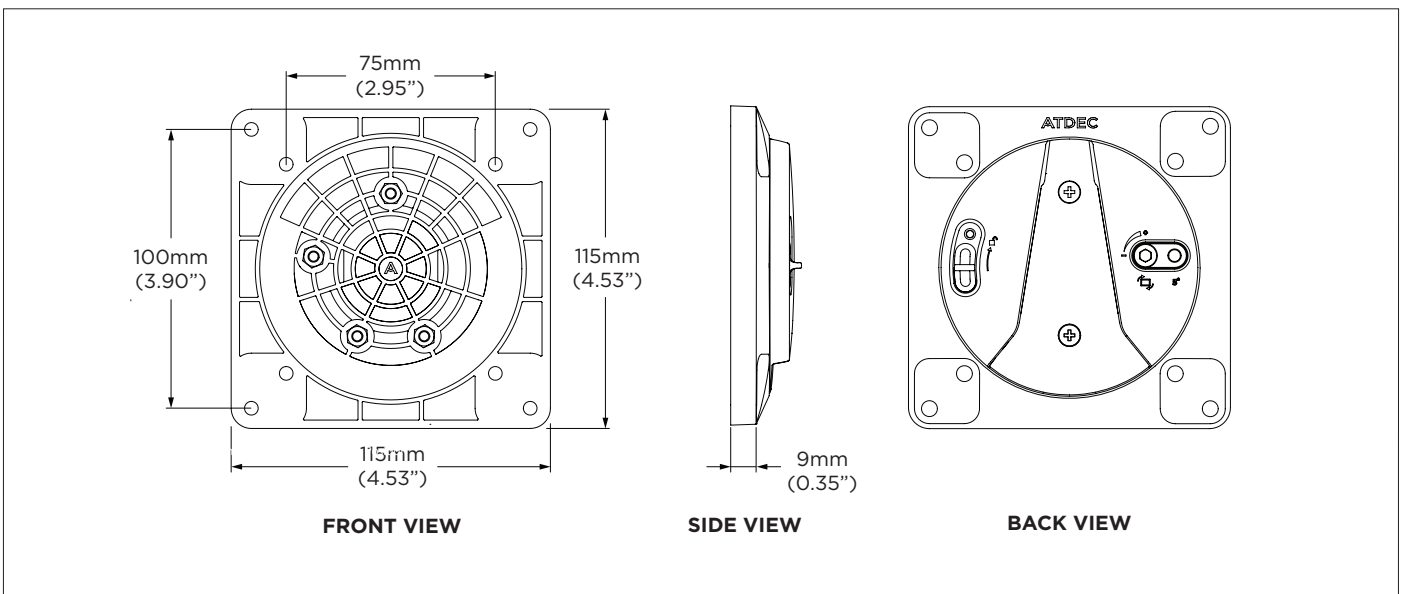
## MOVEMENT SWING ARMS



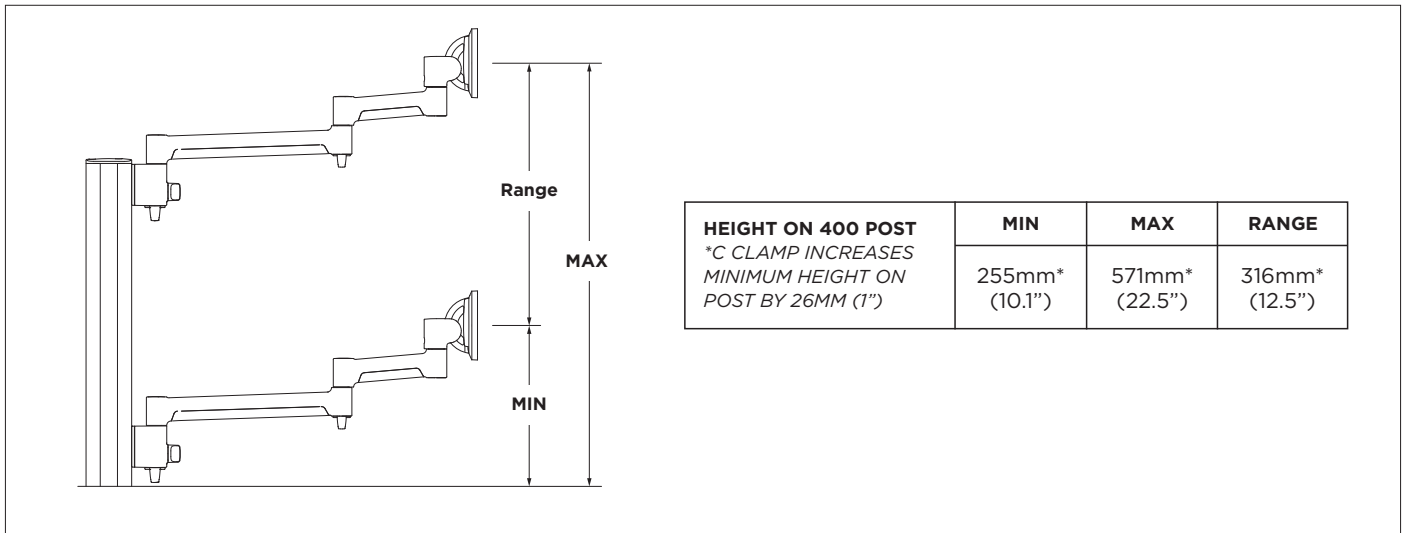
## DIMENSIONS MONITOR SIZE AND POSITION



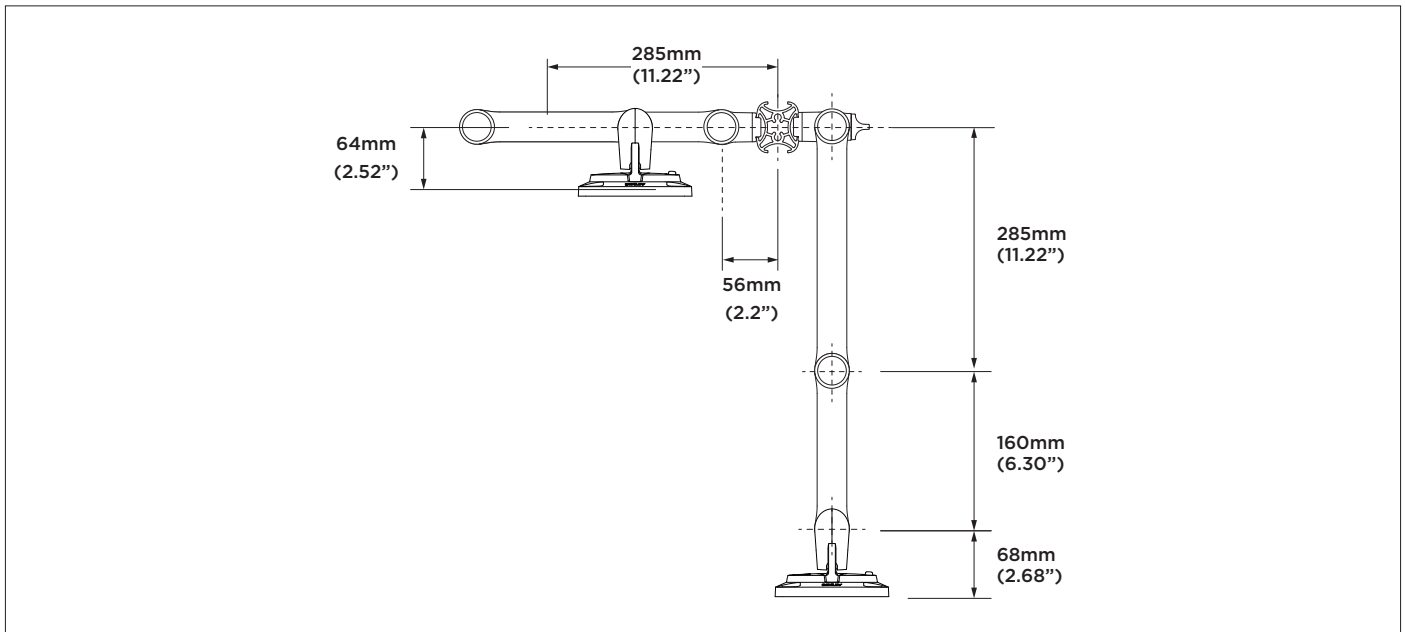
## DIMENSIONS VESA HEAD



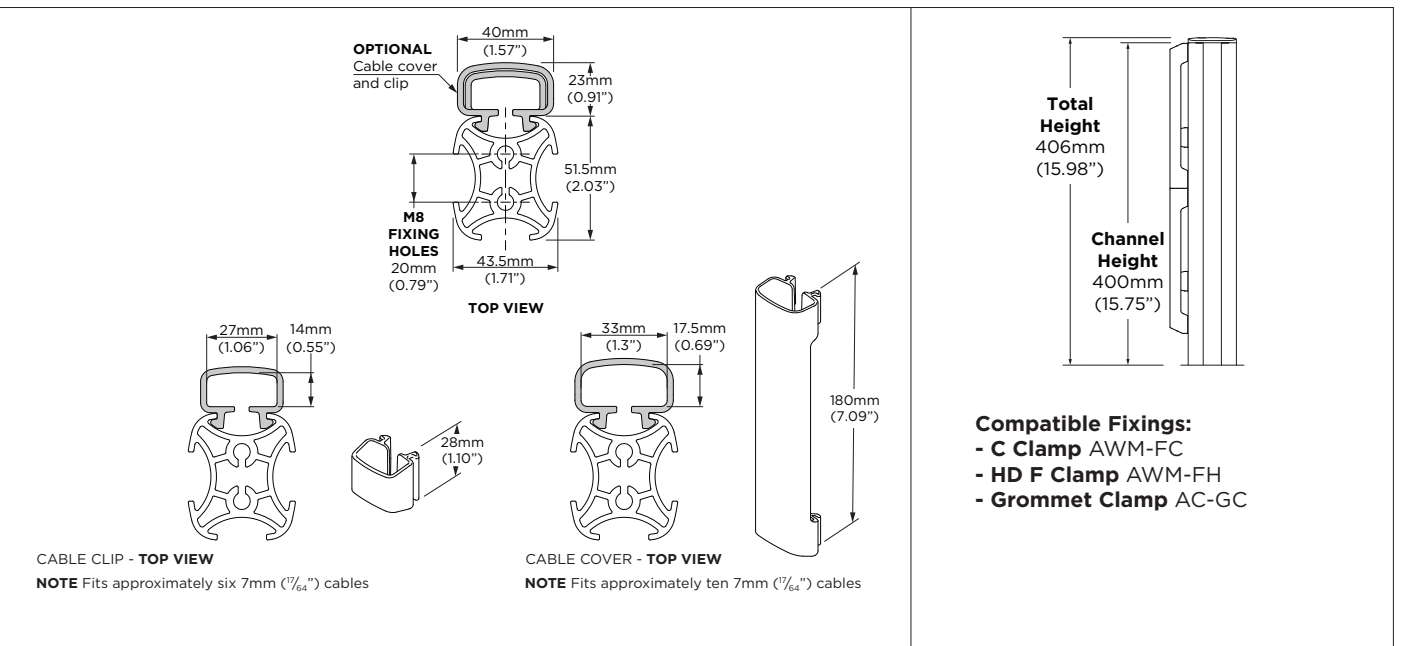
## DIMENSIONS DYNAMIC ARM ON POST



## DIMENSIONS SWING ARMS ON POST



## DIMENSIONS POSTS + CABLE MANAGEMENT

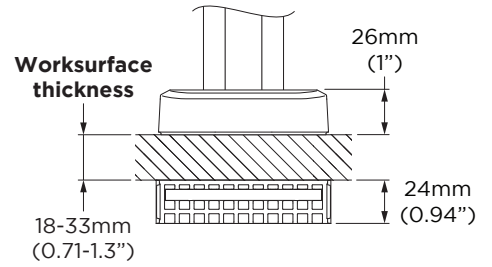
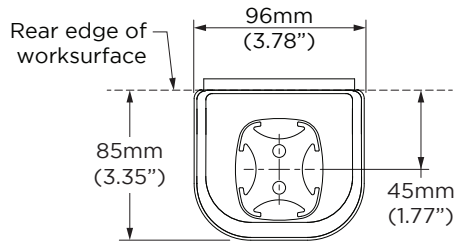
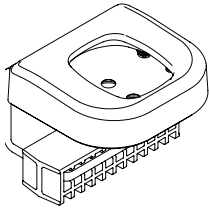


## DESK FIXING OPTIONS

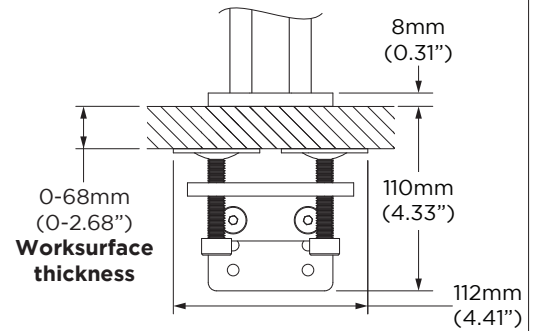
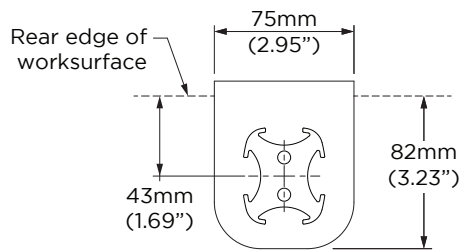
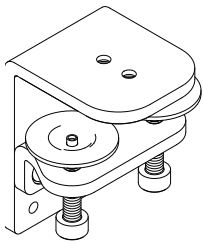
Below are the fixing options available for this solution. For more information and detailed specifications for these products please see the separate Technical Specifications available on the Atdec website.

**NOTE:** Chosen desk fixing must be added to this solution code when ordering.

### C CLAMP AWM-FC



### HEAVY DUTY F CLAMP AWM-FH



### GROMMET CLAMP AC-GC

